

KFE ball valve for use in heating systems, with red lever handle, self-sealing with special thread seal.

#### Advantages

- Safe installation thanks to self-sealing thread
- Exact axial positioning using lock nut
- Exact guidance of blanking cap by stainless steel swivel bracket – no chain or loop to tear off
- Hidden operating element by blanking cap, which serves as a manual wheel

#### Technical Specifications

- Max. operating temperature: 110 °C permanent temperature, 130 °C short-term
- Max. operating pressure: 10 bar
- Nominal pressure range: PN 16
- Operating medium:

Heating water in accordance with VDI 2035  
 Water-glycol mixes up to 50%

#### Materials

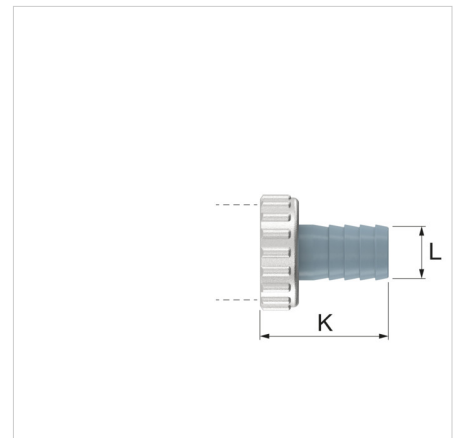
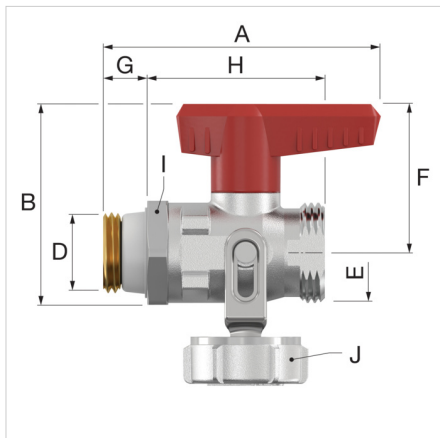
- Housing: Nickel-plated brass
- Bracket: Stainless steel
- Nipple, spindle, lock nut: Brass
- Hose connection: Reinforced plastic
- O-rings, self-sealing thread seal: EPDM
- Ball seal: PTFE

Massive design, lever handle exchangeable depending on application, ball with full bore and galvanised wear coating in a Teflon seat, operating spindle with double O-ring seal.



Description	KFE-KH - D SV	
Order Code	F10638	
Model	<u>KFE Ball Valve with Male Thread</u>	
With hose connection	✓	
Version	straight	
Connection	D	G 1/2" M
	E	G 3/4" M

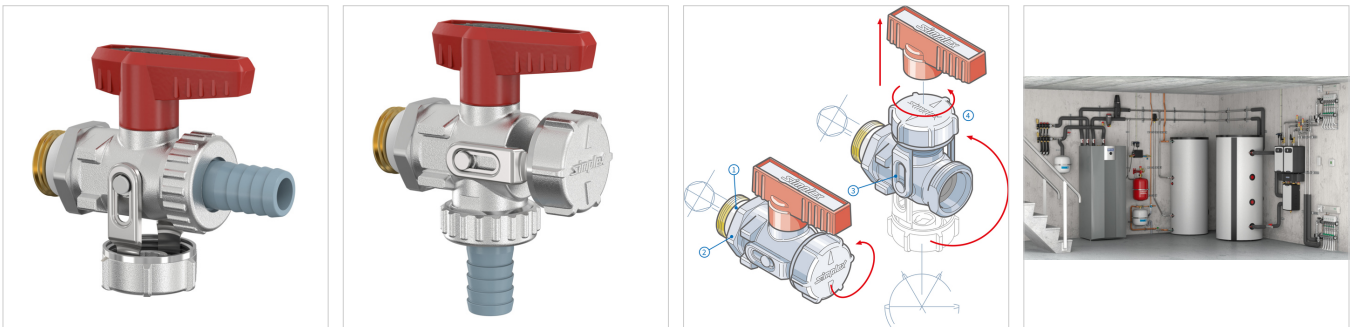
\* Free of lubricants and assembly aids that interfere with painting of completed installations.





### Dimensions

Type	Dimensions									
	A [mm]	B [mm]	C [mm]	F [mm]	G [mm]	H [mm]	I (WS) [mm]	J (WS) [mm]	K [mm]	Ø L [mm]
KFE-KH - D	69.5	52.5	32.5	40	11	43.5	27	30	-	-
KFE-KH - E	69.5	62.0	31.0	40	11	23.0	27	30	-	-
KFE-KH - D SV	69.5	52.5	32.5	40	11	43.5	27	30	33	14.5
KFE-KH - E SV	69.5	62.0	31.0	40	11	23.0	27	30	33	14.5
KFE-KH without handle - D	55.0	37.5	32.5	24	11	43.5	27	30	-	-



**Classification General Data**

<b>Etim Group</b>	Flow control valves
<b>Etim Class</b>	Fill and drain valve
<b>Product Name</b>	None
<b>Brand</b>	Flamco
<b>Product Type</b>	KFE Ball Valves
<b>Order Code</b>	F10638

**Attributes**

<b>Housing material</b>	Brass
<b>Surface protection</b>	Nickel-plated
<b>Degree of gloss</b>	Matt
<b>Nominal diameter connection 1</b>	1/2 inch (15)
<b>Connection 1</b>	External thread cylindrical BSPP-G (ISO 228-1)
<b>Nominal diameter connection 2</b>	3/4 inch (20)
<b>Connection 2</b>	Removable hose spigot
<b>Max. operating pressure at 20 °C</b>	10 bar
<b>Max. medium temperature (continuous)</b>	110 °C
<b>Operation</b>	Lever handle
<b>Sealing element</b>	Ball
<b>With operating key</b>	Yes
<b>With pressure gauge</b>	No
<b>With safety overflow valve</b>	No
<b>Length</b>	72 mm
<b>Working length</b>	46.5 mm
<b>Suitable for heating</b>	Yes
<b>Suitable for potable water</b>	No
<b>Suitable for solar heating</b>	No
<b>Housing material</b>	Brass

**Find more information online:**
[Installation Instructions](#)
[DWG](#)
[RFA](#)
[STEP](#)
[Brochure](#)
[Leaflet](#)
[Brochure Serbian](#)
[Leaflet Serbian](#)
[Brochure Macedonian](#)
[Leaflet Macedonian](#)
[Easy installation](#)
[Operation without handle](#)
[Corner installation](#)
[Allen key](#)
[Anti-vandalism](#)

Fort Blauwkapel 1  
1358 DB, Almere - nl

T +31 (0)36 52 62 300  
E [info@aalberts-hfc.com](mailto:info@aalberts-hfc.com)  
I [flamco.aalberts-hfc.com](http://flamco.aalberts-hfc.com)