

For protecting water heaters and potable water systems.

When the system pressure reaches the set pressure, the Prescor B boiler valve begins to vent, whereby the pressure stops rising. If, due to specific circumstances, the pressure rapidly rises over the set pressure, the Prescor B boiler valve will open fully, creating a large blow off capacity. This is a permanent, reliable safeguard against overpressure. Venting can be prevented by installing a suitably sized Airfix expansion vessel for sanitary systems.

The seating of Prescor boiler valves is designed so that it not only makes a perfect seal but can also achieve a large blow-off capacity.

The hardness of the rubber is adapted according to the set pressure of the safety valve. Due to this combination of a specifically designed seating and special rubber it is possible to achieve optimum safety.

Advantages

- Wide range so that the correct valve can be selected appropriate to the application.
- Can be used in combination with any storage boiler system.
- Because of the "pop" effect these valves have a high blow-off capacity.
- Solid brass housing.
- Valve seat with silicon free rubber seal.
- Anti-ageing steel spring maintains the set pressure accurately.
- With silicon free diaphragm that prevents moisture and dirt from getting into the moving parts.
- Construction and choice of materials are your guarantee of accuracy and safety.

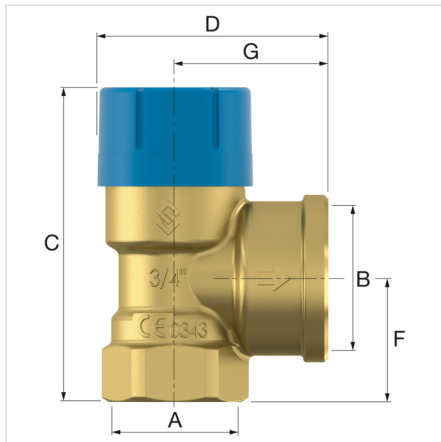
Technical Specifications

- Minimum/Maximum working temperature: 0 °C / 95 °C.
- Peak load: 140 °C.
- In accordance with PED 2014/68/EU and EN 12516-3.



Description	Prescor B 3/4 " F	
Order Code	27116	
Model	<u>Prescor B</u>	
Set pressure [bar]	8.0	
Connection	A	Rp $\frac{3}{4}$ "
	B	Rp $\frac{3}{4}$ "
Dimensions	C [mm]	70.9
	D [mm]	49.2
	F [mm]	23.5
	G [mm]	30.5
Capacity [kW]	150	





Classification General Data

Etim Group	Measuring and control devices
Etim Class	Safety valve
Product Name	None
Brand	Flamco
Product Type	Prescor Safety Valves
Order Code	27116

Attributes

Model	Right-angled
Housing material	Brass
Material quality	Dezincification resistant brass (DZR)
Connection 1	Internal thread cylindrical BSPT-Rp (ISO 7-1 / EN 10226-1)
Nominal diameter connection 1	3/4 inch (20)
Outer pipe diameter connection 1	35 mm
Connection 2	Internal thread cylindrical BSPT-Rp (ISO 7-1 / EN 10226-1)
Nominal diameter connection 2	3/4 inch (20)
Outer pipe diameter connection 2	35 mm
Article compression class	PN 16
Flange compression class	PN 16
Max. operating pressure at 20 °C	10 bar
Medium temperature (continuous)	0 - 95 °C
Surface protection	Untreated
Bellows seal	Yes
Sealing	Ethylene-propylene diene monomer rubber (EPDM)
Overflow pressure	7.5 - 8.2 bar
Suitable for continuous operation	Yes
Length of connection 1	29.5 mm
Working length connection 1	29.5 mm
Length of connection 2	36.5 mm
Working length connection 2	36.5 mm
Height	70.9 mm
Angle of the device	90 °
Spindle angle	180 °
Suitable for heating	No
Suitable for cooling	No
Suitable for solar heating	No
Suitable for hot tap water	Yes
Housing material	Brass
Nominal diameter	3/4 inch (20)
Outer pipe diameter all connections	22 mm
Maximum pressure at 20 C	10 bar
Max. medium temperature (continuous)	95 °C
Min. medium temperature (continuous)	0 °C
Right-angled model	Yes

Find more information online:[Installation and operating instruction](#)[EU Declaration of conformity PED](#)[ACS certificate](#)[Declaration of conformity UKCA](#)[Prescor B ADSK](#)[Prescor B DWG](#)[Prescor B IPT](#)[Prescor B STEP](#)[Prescor B RFA](#)[Packaging data](#)

Fort Blauwkapel 1
1358 DB, Almere - nl

T +31 (0)36 52 62 300

E info@aalberts-hfc.com

I flamco.aalberts-hfc.com